

REVISIONS					
ZONE	LTR.	EFFECT.	DESCRIPTION	DATE	APPROVED
B			REDRAWN; WAS SH. 2A & 2C (C' 012.E)	1-5-83	R J J
C			U57 PIN 7 WAS STRUCK. U35 PIN 10 & 13 WERE REVERSED. D6B & D7B LABELS ON U35 WERE REVERSED.	2-2-83	R J J
D			2 MHz WAS CONNECTED TO PINS U87	4-12-83	R W J

QTY	PART OR IDENTIFYING NO.	NOMENCLATURE OR DESCRIPTION	MFR. CODE	CIRCUIT REF.	ITEM NO.
		PARTS LIST			
NON-LINEAR SYSTEMS, INC. DEL MAR, CALIFORNIA					
CPU AND MEMORY					
KAYPRO II/4					
SIZE CODE IDENT NO.		81-241			
D 03626					
SCALE	WEIGHT	SHEET		2 A	

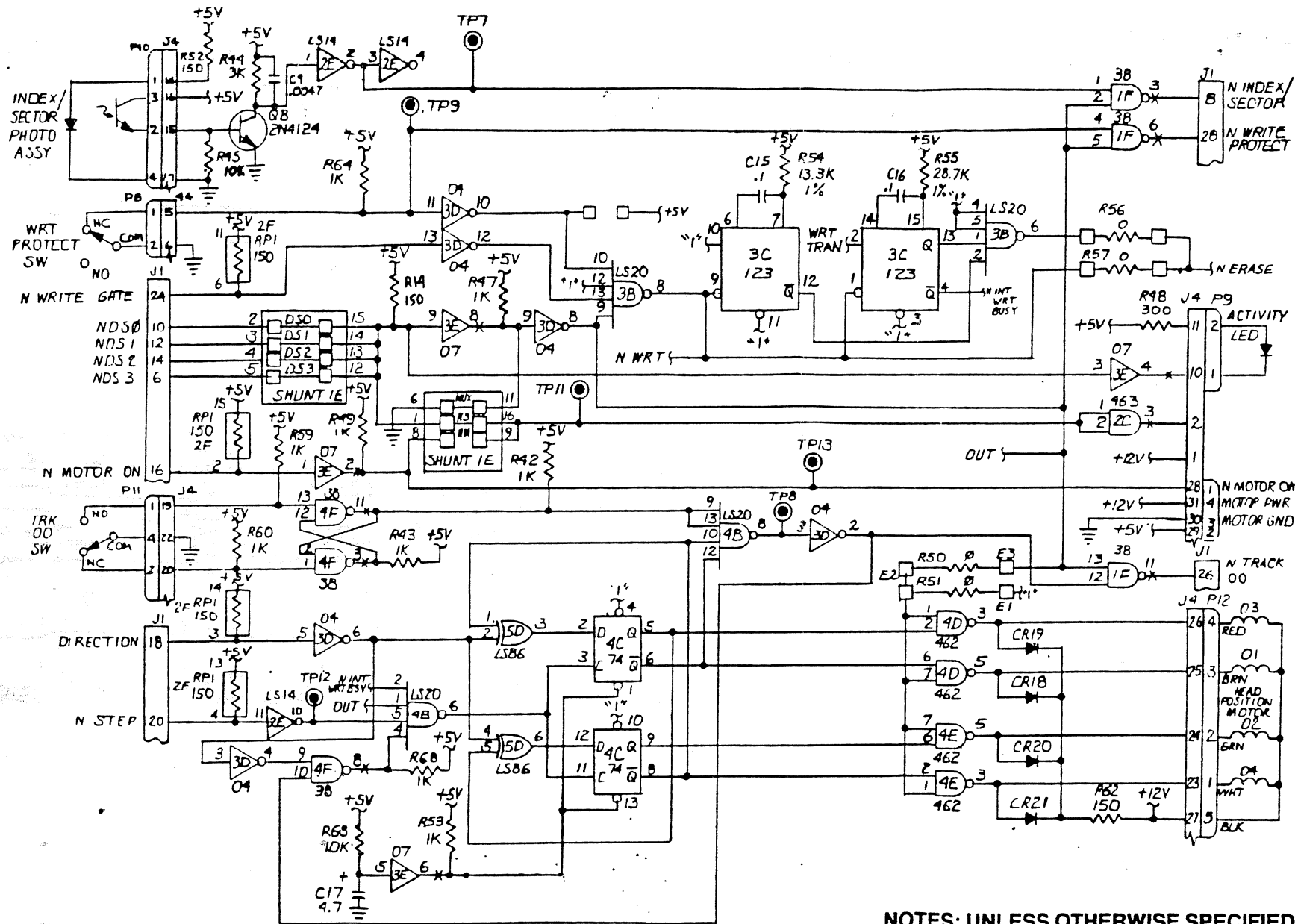
UNLESS OTHERWISE SPECIFIED		CONTR. NO.	
DIMENSIONS ARE IN INCHES	TOLERANCES ON DECIMALS = .010	DRAWN	R J J
FRACTIONS = 1/32	ANGLES = 0° 30'	CHECK	
		APPR	K J J
		RELEASE DATE	16-15-82

**PROPRIETARY INFORMATION**  
 Not for distribution or transmission to any other person, organization or company without the permission of Non-Linear Systems, Inc.

REVISED 40-0001 (REV)







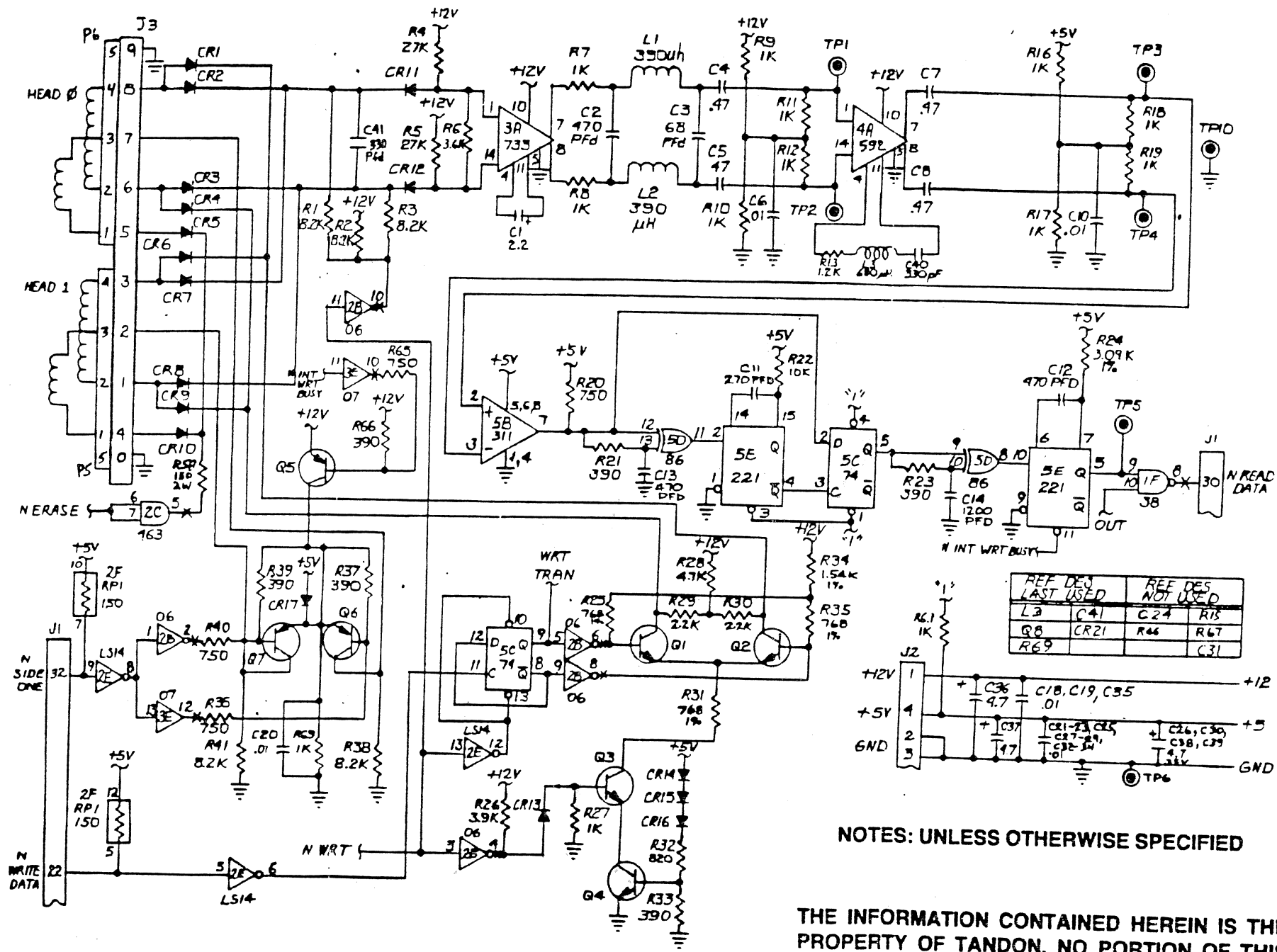
1-2

THE INFORMATION CONTAINED HEREIN IS THE PROPERTY OF TANDON. NO PORTION OF THIS DATA SHALL BE RELEASED, DISCLOSED, USED, OR DUPLICATED, FOR USE IN PROCUREMENT OR MANUFACTURING WITHOUT SPECIFIC, WRITTEN PERMISSION FROM TANDON.

### LOGIC SCHEMATIC

#### NOTES: UNLESS OTHERWISE SPECIFIED

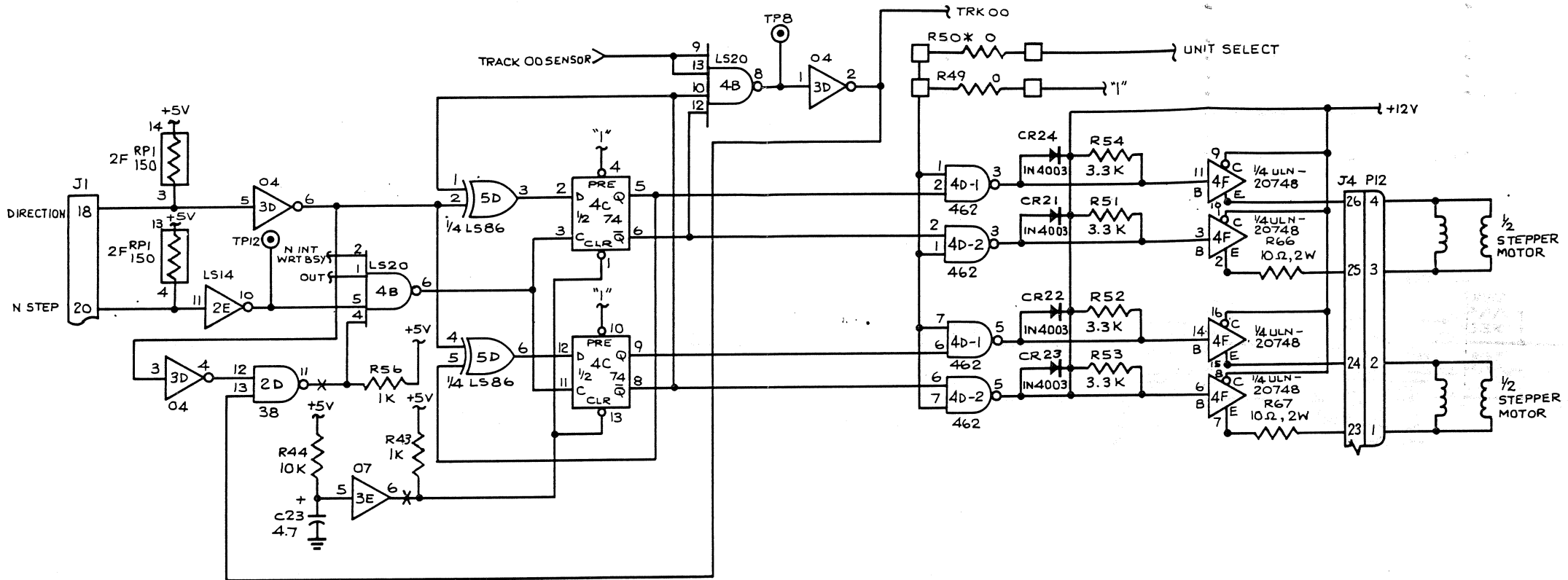
1. ALL RESISTORS ARE IN OHMS, 1/4 W, 5%
2. ALL CAPS ARE IN uFD.
3. ALL DIODES ARE IN 4446.
4. ALL TRANSISTORS NPN ARE 2N4124 & PNP ARE 2N4125.



### LOGIC SCHEMATIC

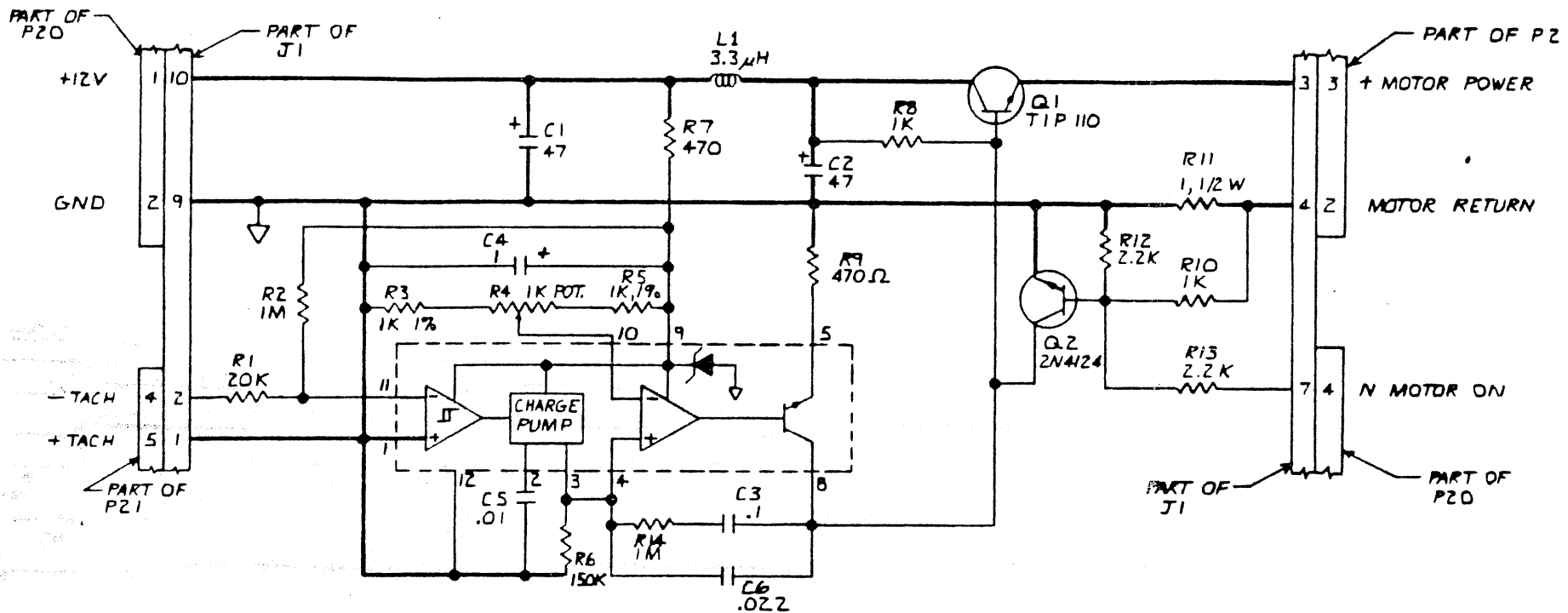
NOTES: UNLESS OTHERWISE SPECIFIED

THE INFORMATION CONTAINED HEREIN IS THE PROPERTY OF TANDON. NO PORTION OF THIS DATA SHALL BE RELEASED, DISCLOSED, USED, OR DUPLICATED, FOR USE IN PROCUREMENT OR MANUFACTURING WITHOUT SPECIFIC, WRITTEN PERMISSION FROM TANDON.



\*Unit not usually shipped with R50 in place. R51 is in place.

Figure 3-6  
Direction and Step Lines Schematic Diagram, Bipolar



**NOTES: UNLESS OTHERWISE SPECIFIED**

1. RESISTORS ARE IN OHMS, ± 5%, 1/4 W.
2. 1% RESISTORS ARE 1/8 W.
3. CAPACITORS ARE IN uF, ± 20%, 35 V.

**SERVO PCBA,  
LINEAR**