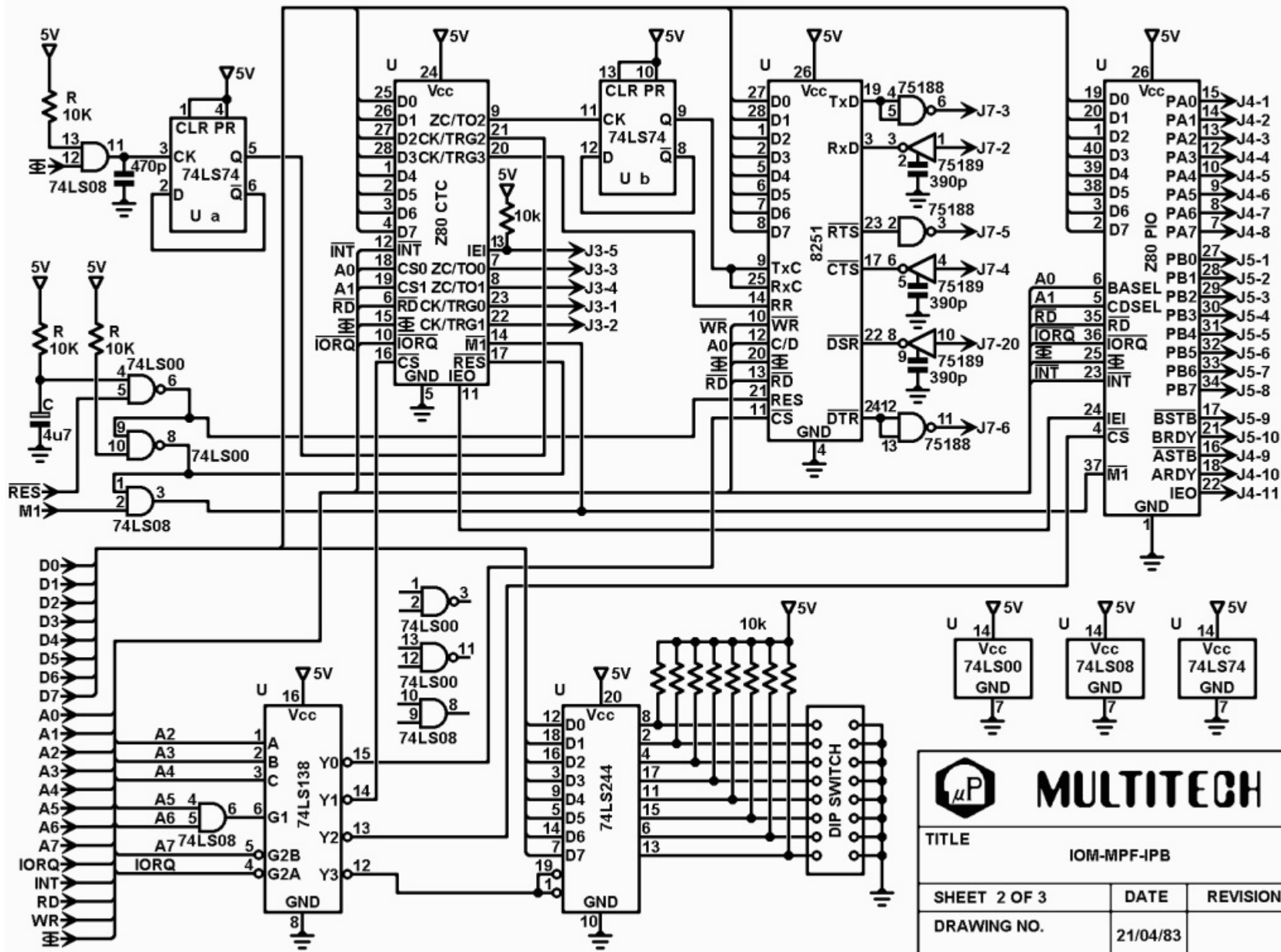
 <b>MULTITECH</b>		
TITLE IOM-MPF-IPB		
SHEET 1 OF 3	DATE	REVISIONS
DRAWING NO.	21/04/83	



# MULTITECH

TITLE		
IOM-MPF-IPB		
SHEET 2 OF 3	DATE	REVISIONS
DRAWING NO.	21/04/83	

J1		J2	
1	A11	21	A10
2	A12	22	A9
3	A13	23	A8
4	A14	24	A7
5	A15	25	A6
6	CK	26	A5
7	D4	27	A4
8	D3	28	A3
9	D5	29	A2
10	D6	30	A1
11	NC	31	A0
12	D2	32	GND
13	D7	33	RFSH
14	D0	34	M1
15	D1	35	RESET
16	INT	36	BUSRQ
17	NMI	37	WAIT
18	HALT	38	BUSAK
19	MREQ	39	WR
20	IORQ	40	RD


J6	
1	INT
2	NMI
3	HALT
4	MREQ
5	IORQ
6	M1
7	RESET
8	WAIT
9	BUSRQ
10	BUSAK
11	WR
12	RD
13	CK
14	NC
15	NC
16	NC

J5	
1	PA0
2	PA1
3	PA2
4	PA3
5	PA4
6	PA5
7	PA6
8	PA7
9	ASTB
10	ARDY
11	PIOEIO
12	NC
13	NC
14	NC
15	NC
16	NC

J4	
1	PB0
2	PB1
3	PB2
4	PB3
5	PB4
6	PB5
7	PB6
8	PB7
9	BSTB
10	BRDY
11	NC
12	NC
13	NC
14	NC
15	NC
16	NC

J3	
1	CK/TR0
2	CK/TR1
3	ZC/TO0
4	ZC/TO1
5	CTCIEI
6	TR1
7	TR2
8	TR3
9	+5V
10	+5V
11	NC
12	GND
13	GND
14	NC
15	-10V
16	+12V

J7 or J17	
2	RxD
3	TxD
4	CTS
5	RTS
6	DTR
7	GND
20	DSR

 <b>MULTITECH</b>		
TITLE		
IOM-MPF-IPB		
SHEET 3 OF 3	DATE	REVISIONS
DRAWING NO.	21/04/83	