

W3
W2
W1

34
1

1 2 3 4 5 6 7 8 9 0 * = RUB OUT

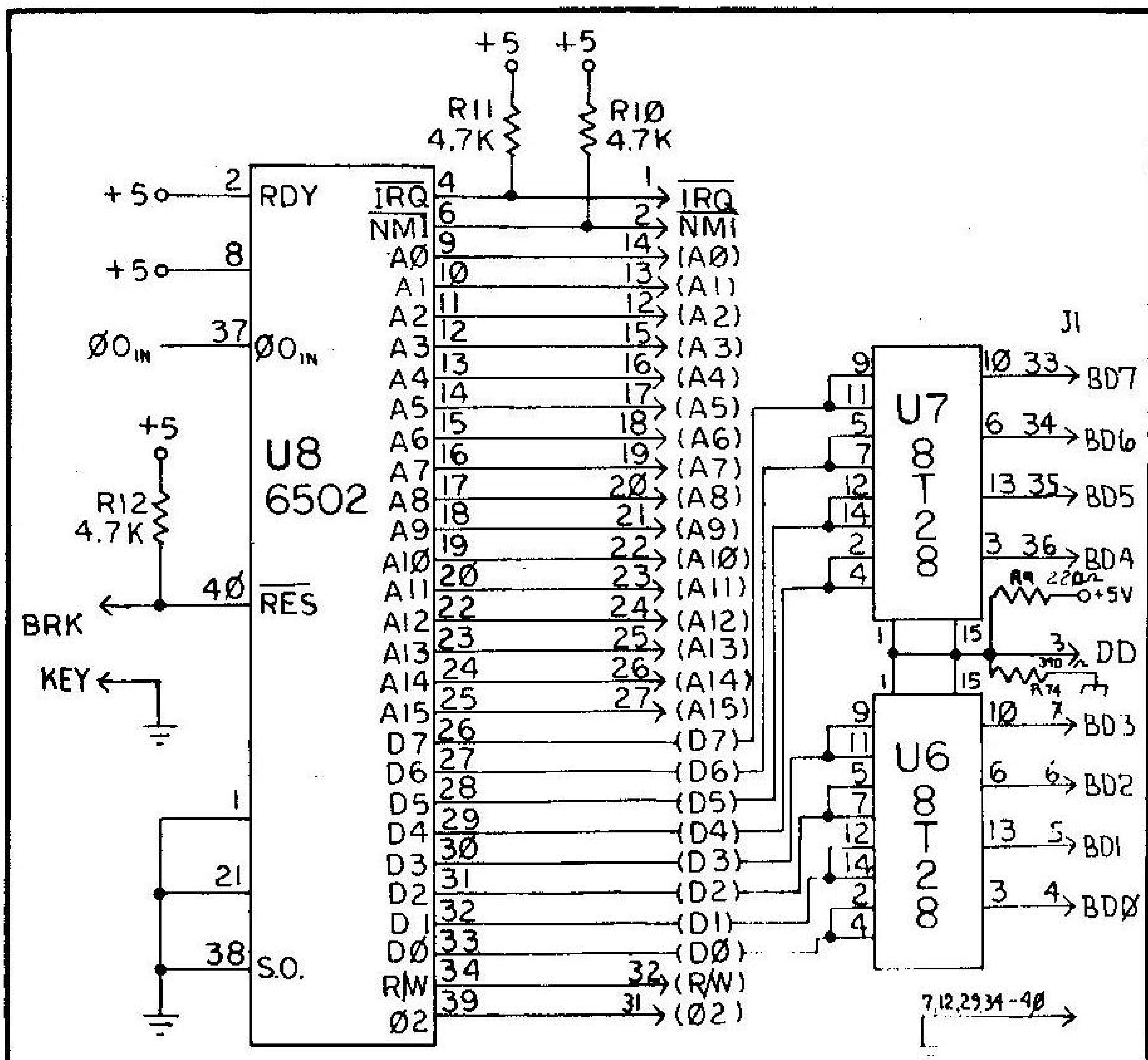
ESC Q W E R T Y U I O P LINE FEED RETURN

CTRL A S D F G H J K L + SHIFT LOCK REPT BREAK

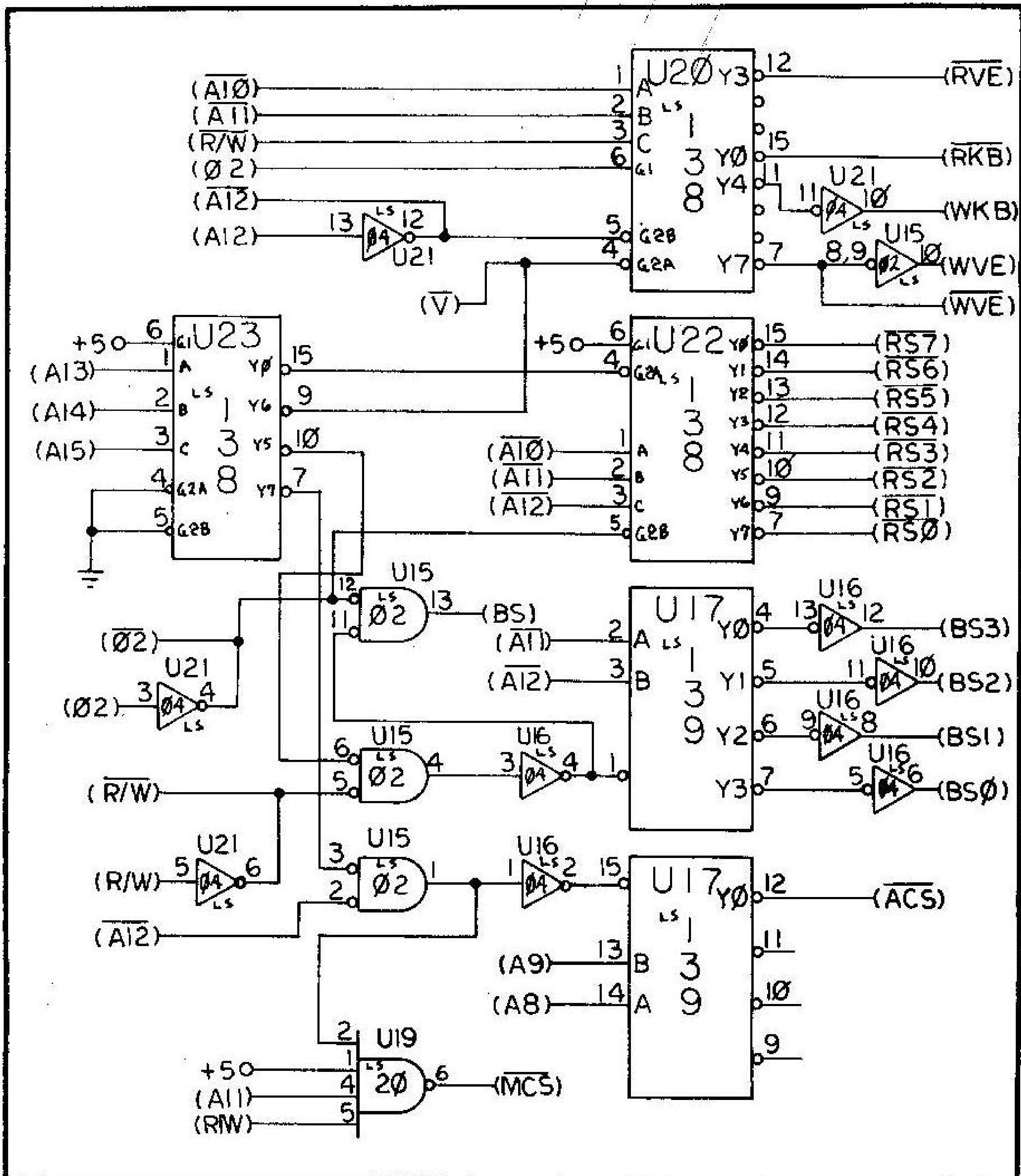
SHIFT Z X C V B N M < , > . ? / SHIFT

017 010000HAB
018 010000R64
019 010000R78
020 010000R71

[Empty rectangular box]



OHIO SCIENTIFIC			product name/number SUPER BOARD 2 600	
date 5 SEP 1978	revision B	page	status	sheet 1 of 13



OHIO SCIENTIFIC

product name/number

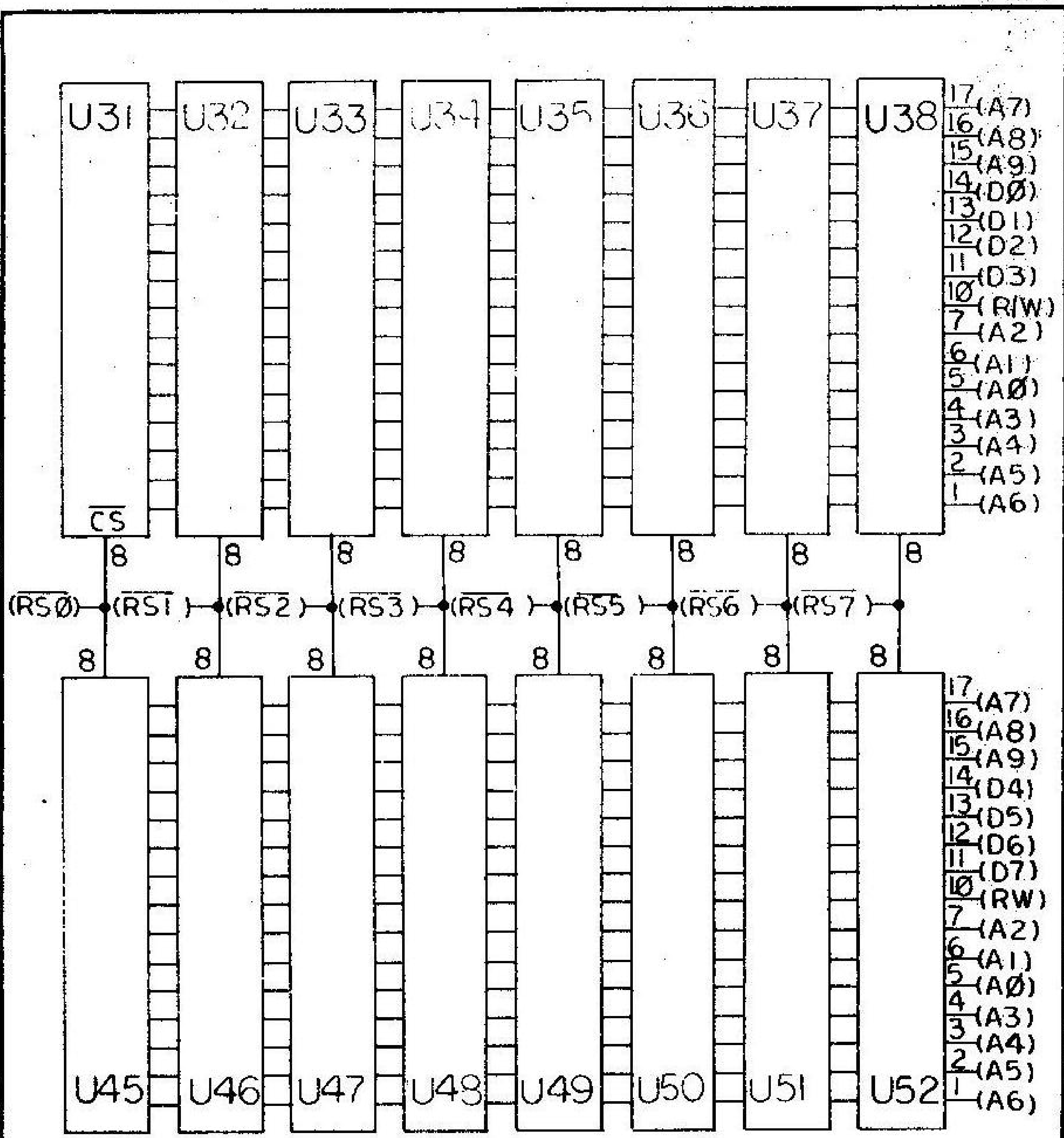
date
5 SEP 1978

revision
B

page

status

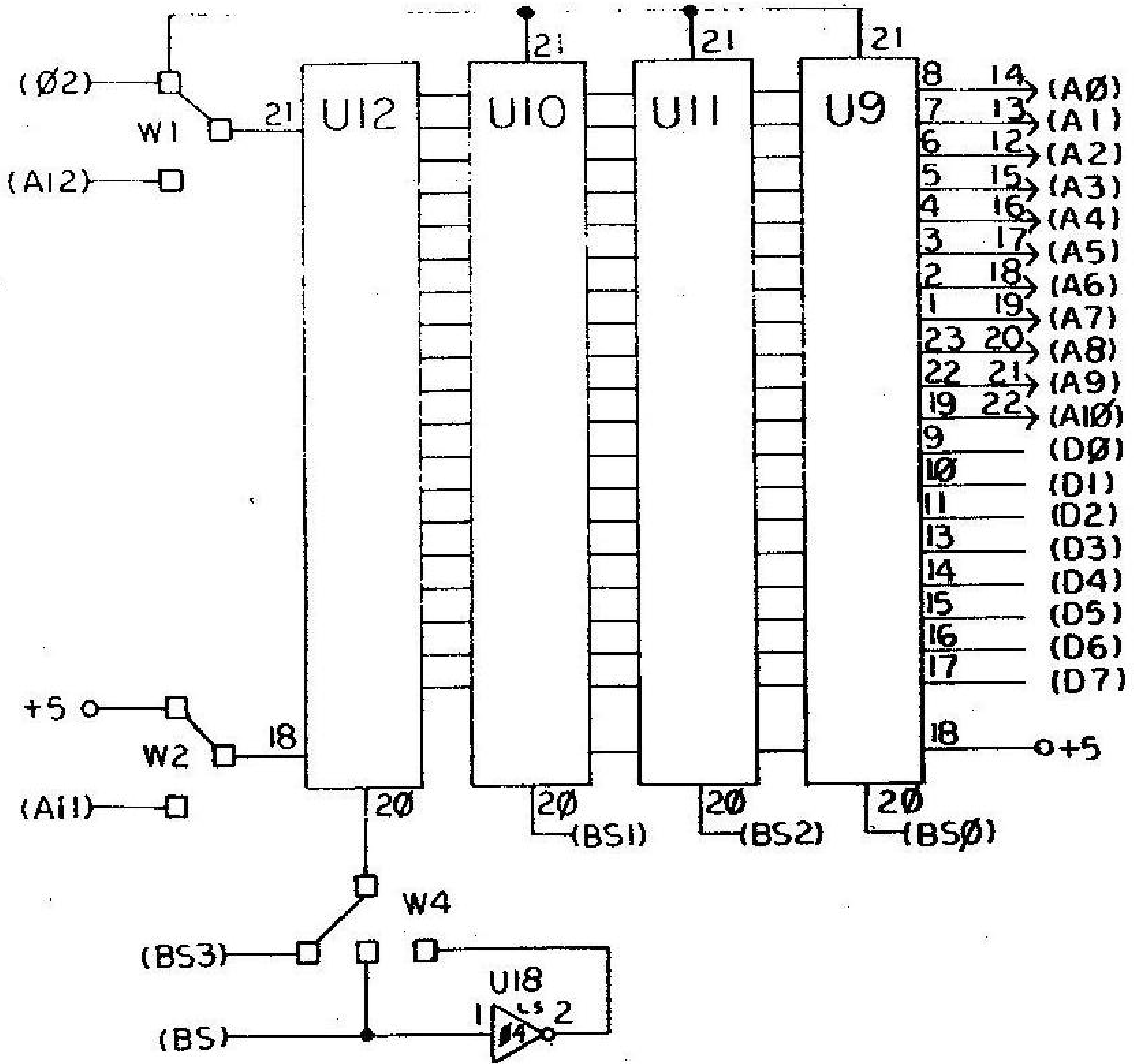
sheet 2 of 13



2114

OHIO SCIENTIFIC			product name/number <i>Memory</i>	
date 5 SEP 1978	revision B	page	status	sheet 3 of 13

2316 B / 2664 ROMS (BASIC)



OHIO SCIENTIFIC

product name/number

BASIC

date

5 SEP 1978

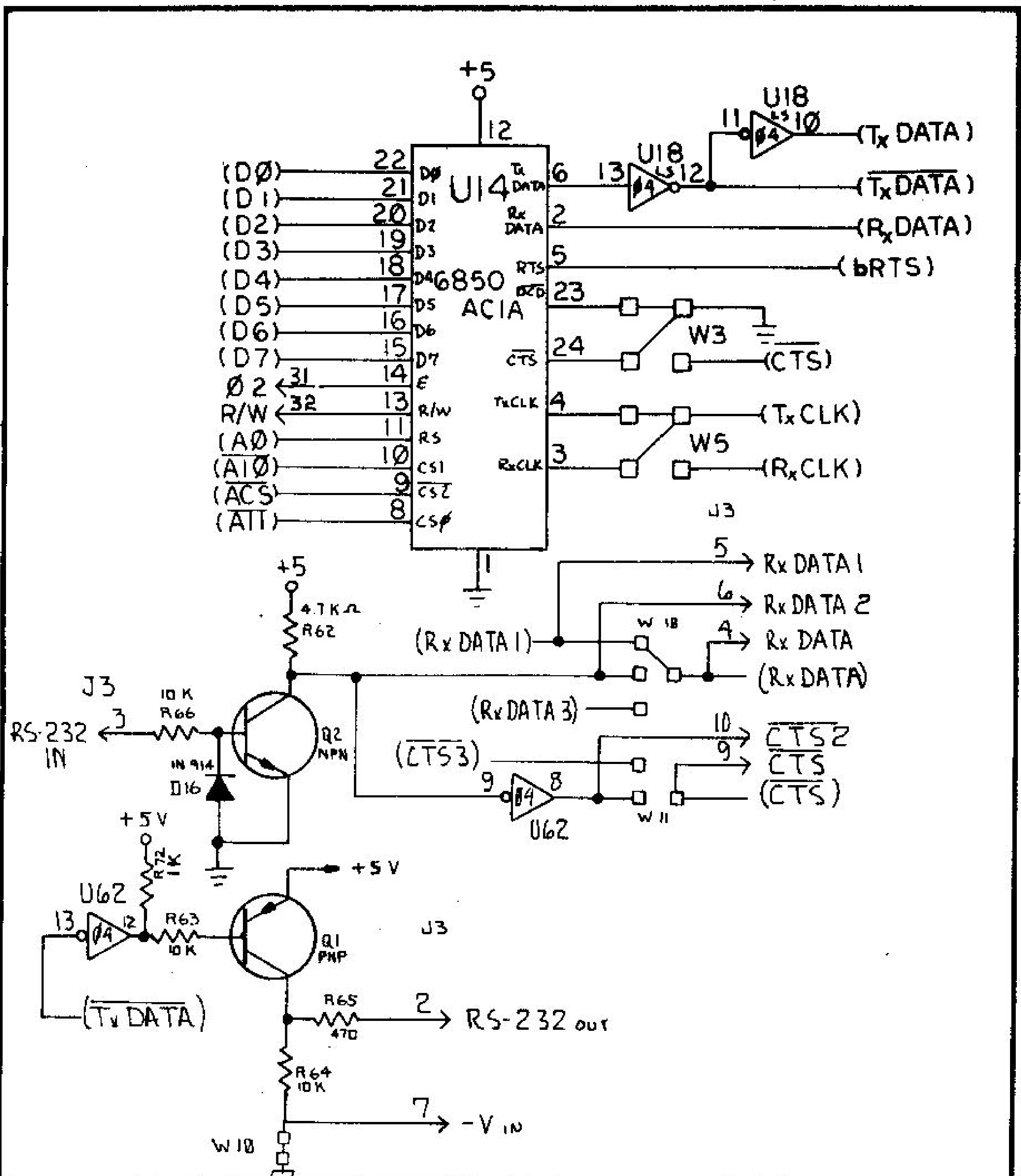
revision

B

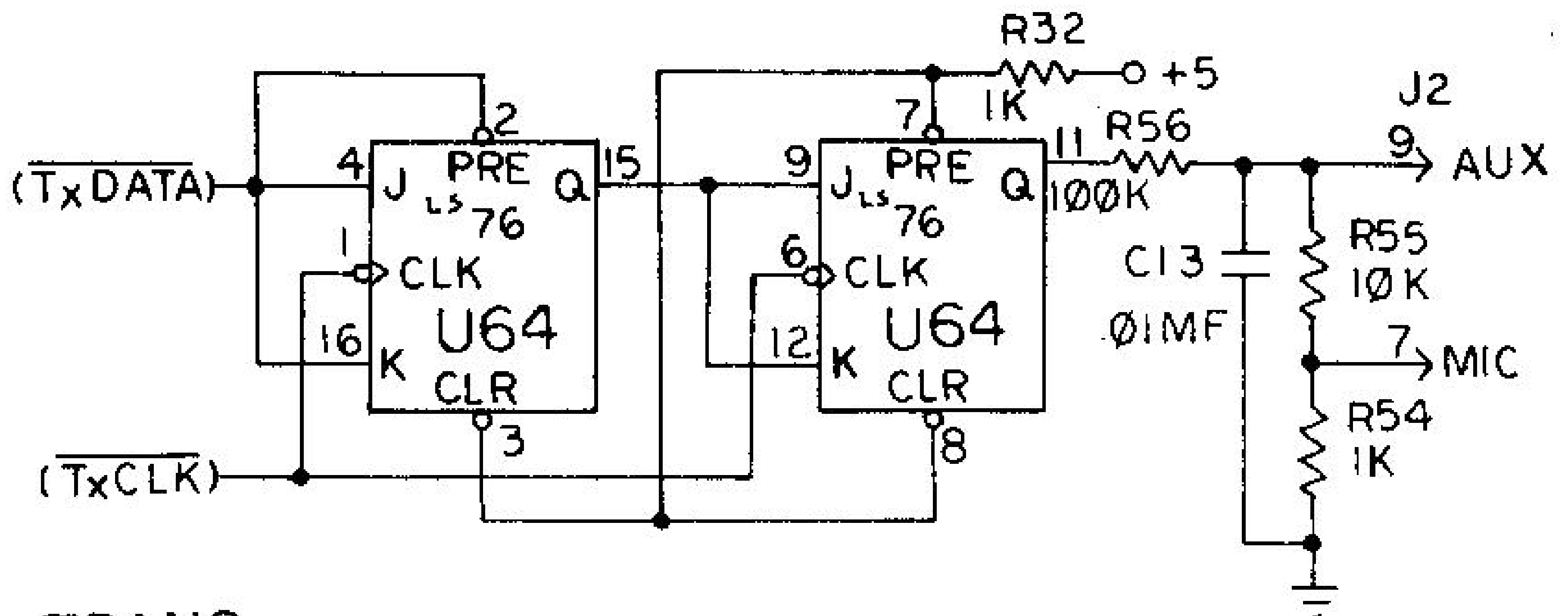
page

status

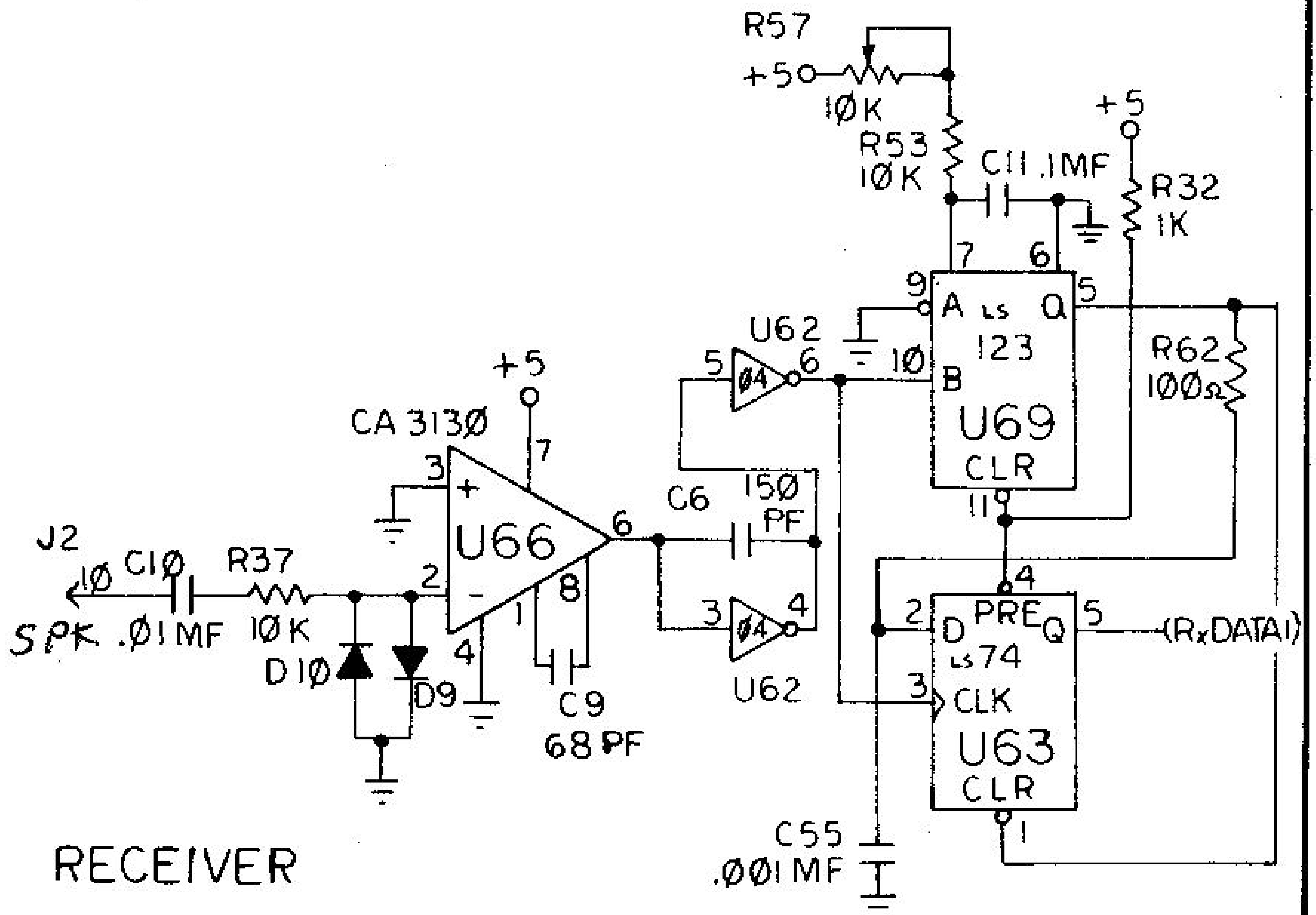
sheet 4 of 13



OHIO SCIENTIFIC			product name/number <i>Modem/Printer</i>	
date 5 SEP 1978	revision B	page	status	sheet 6 of 13



TRANS.



RECEIVER

OHIO SCIENTIFIC

product name/number

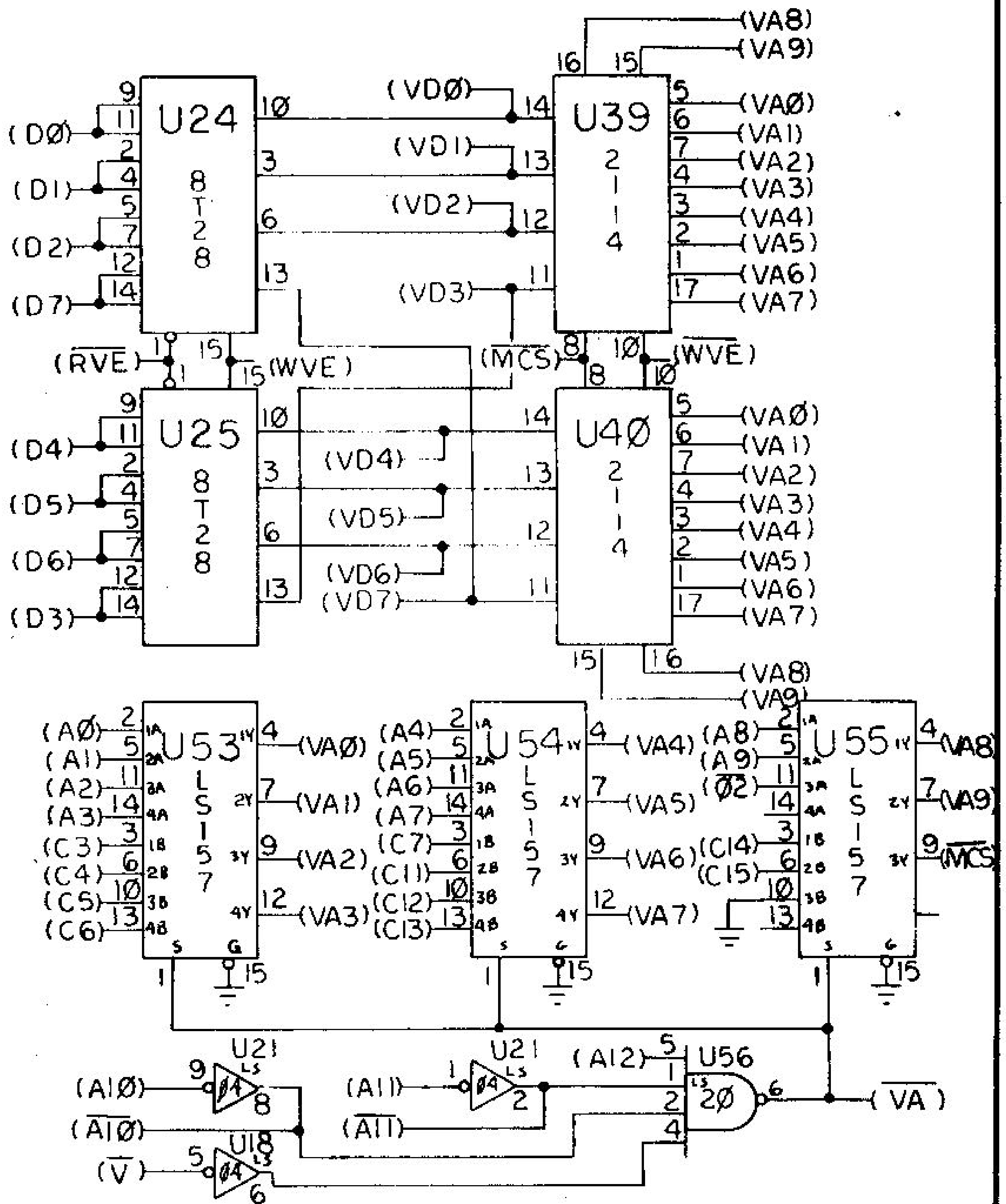
date
5 SEP 1976

revision
B

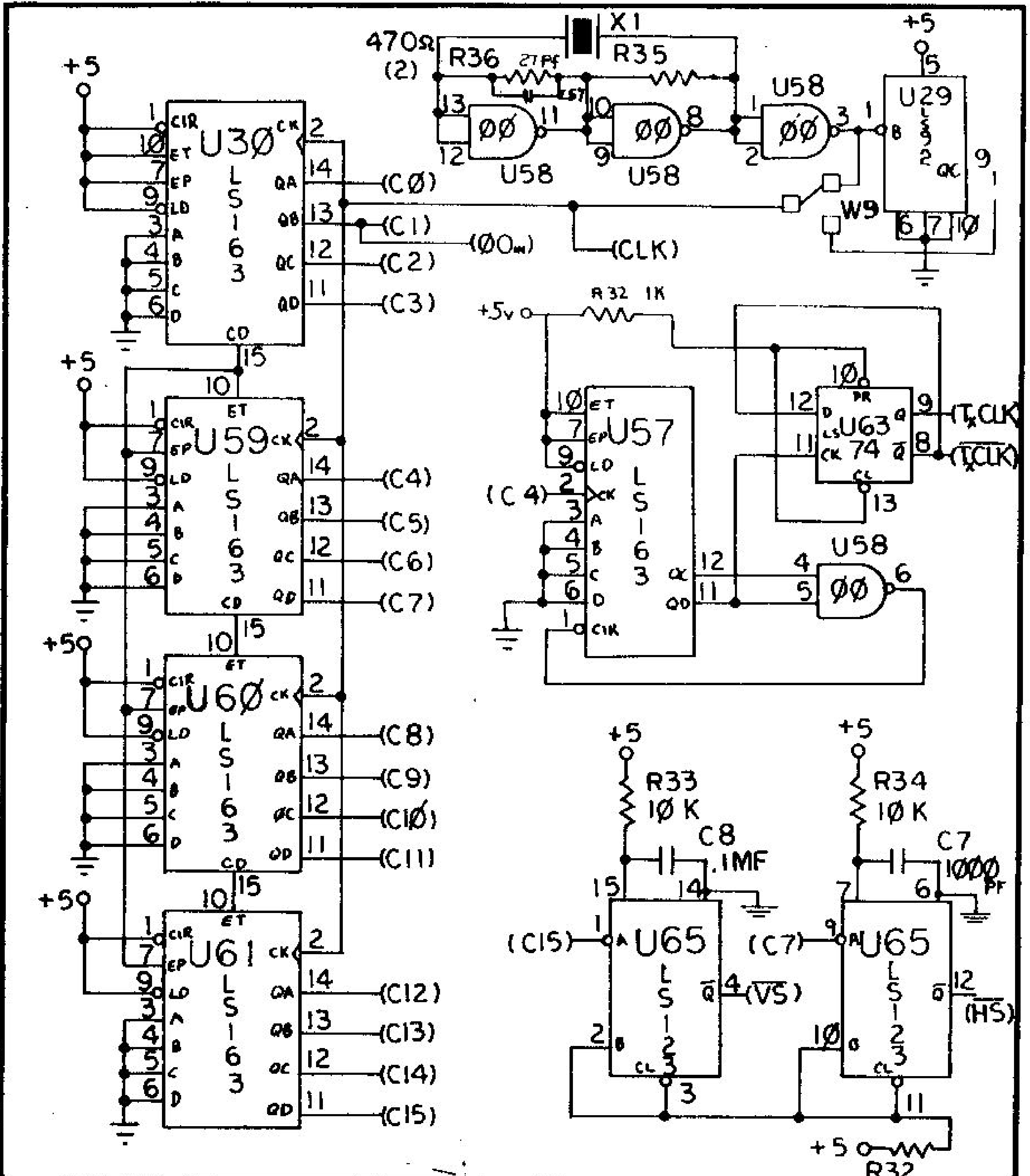
page

status

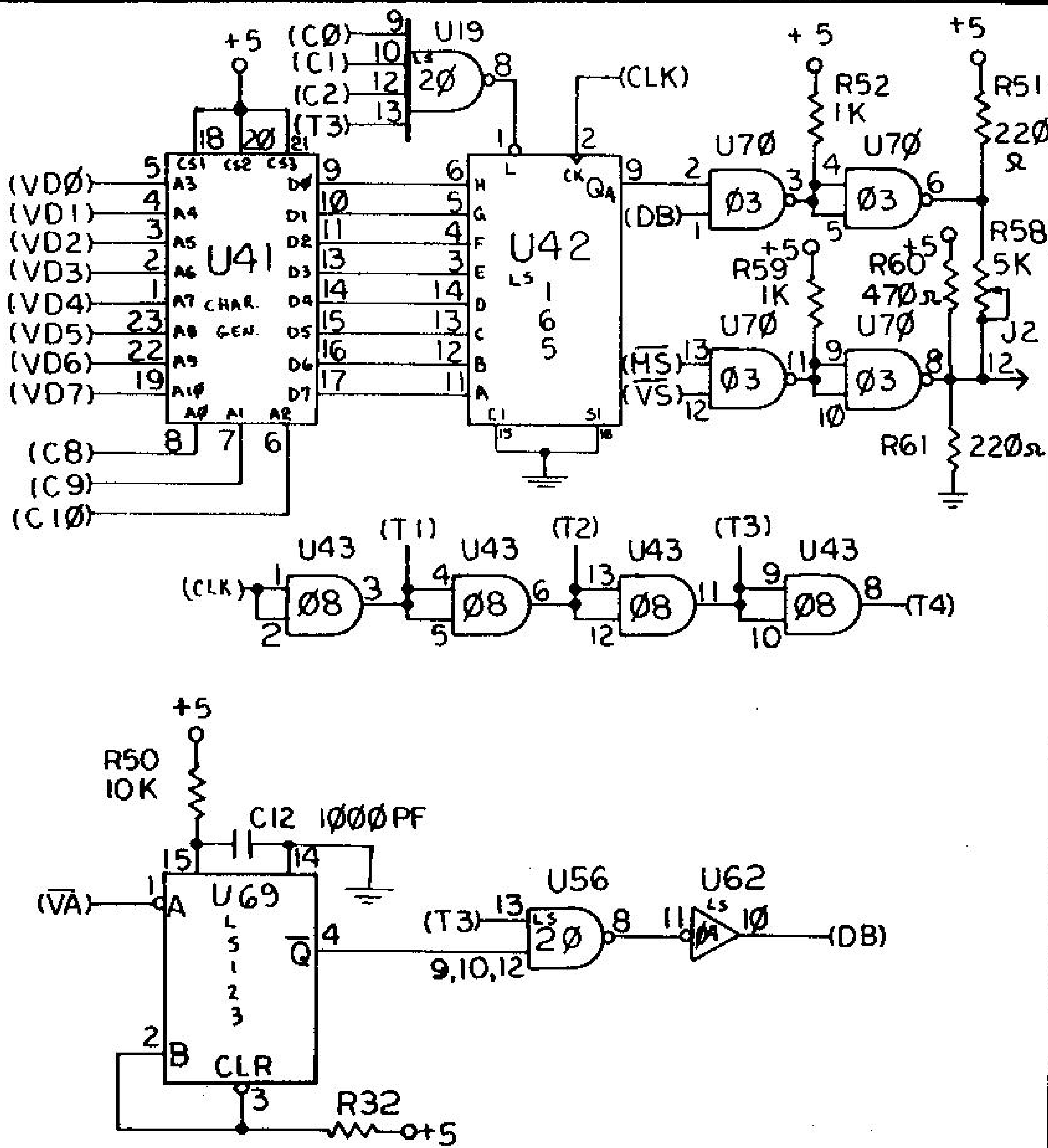
sheet 7 of 13



OHIO SCIENTIFIC			product name/number	
date 5 SEP 1978	revision B	page	status	sheet 8 of 13



OHIO SCIENTIFIC			product name/number	
date 5 SEP 1978	revision B	page	status	sheet 9 of 13



OHIO SCIENTIFIC

product name/number

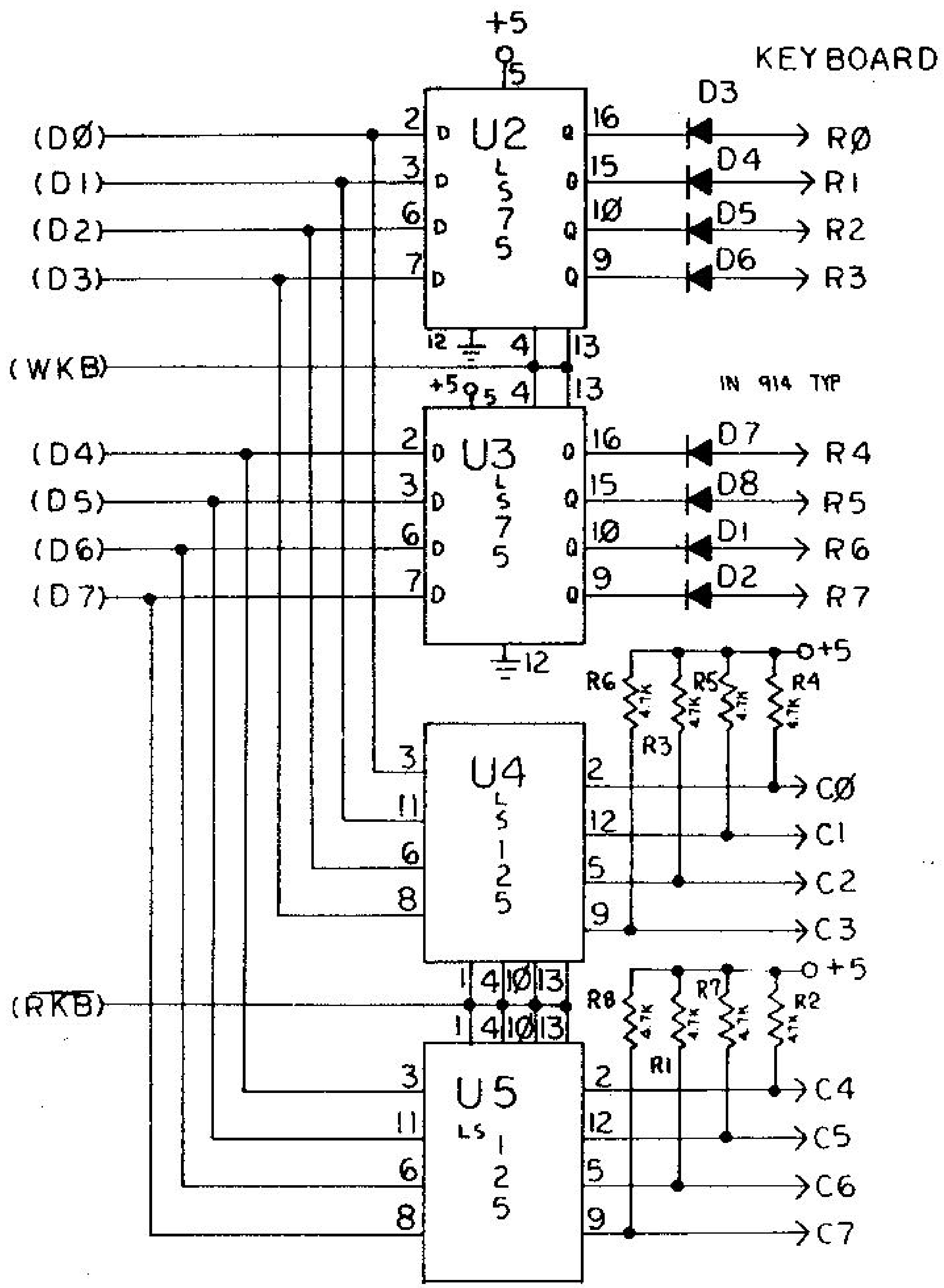
date
5 SEP 1978

revision
B

page

status

sheet 10 of 13



OHIO SCIENTIFIC

product name/number

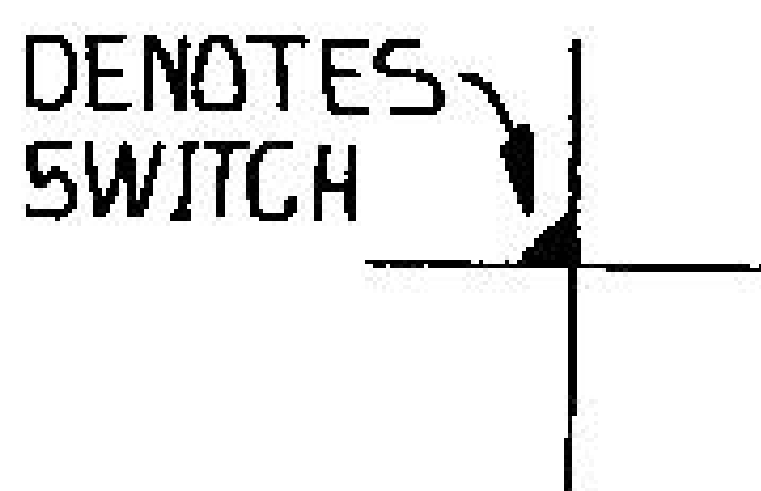
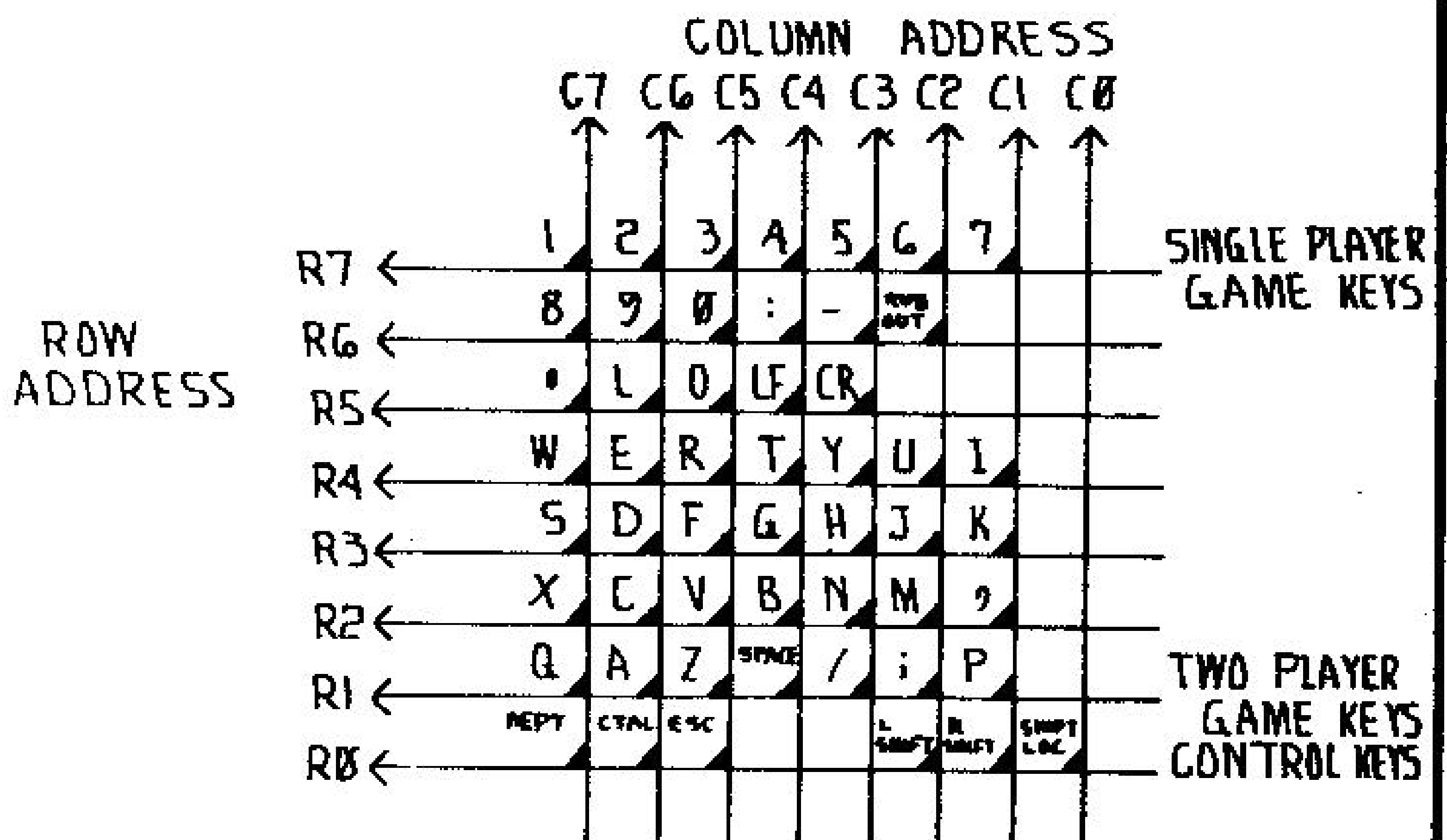
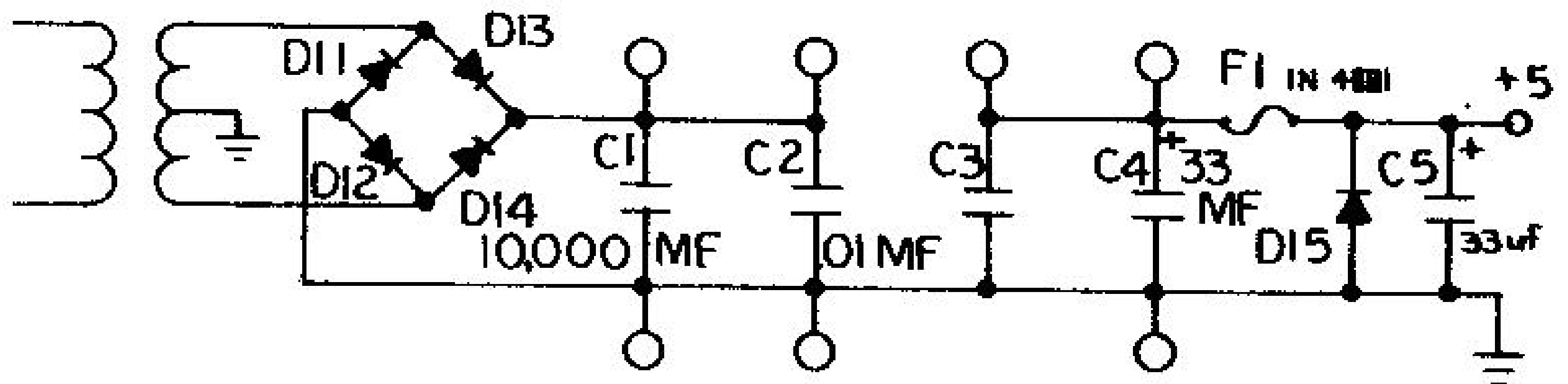
date
5 SEP 1978

revision
B

page

status

sheet 11 of 13



- NOTES:
- STANDARD 53 KEY LAYOUT EXCEPT:
 "HERE IS" DELETED.
 "RUB OUT" AT "HERE IS" LOCATION.
 "SHIFT LOC" AT "RUBOUT" LOCATION.
 "SHIFT" SEPERATELY DECODED FOR "LEFT SHIFT."
 AND "RIGHT SHIFT."

OHIO SCIENTIFIC

product name/number

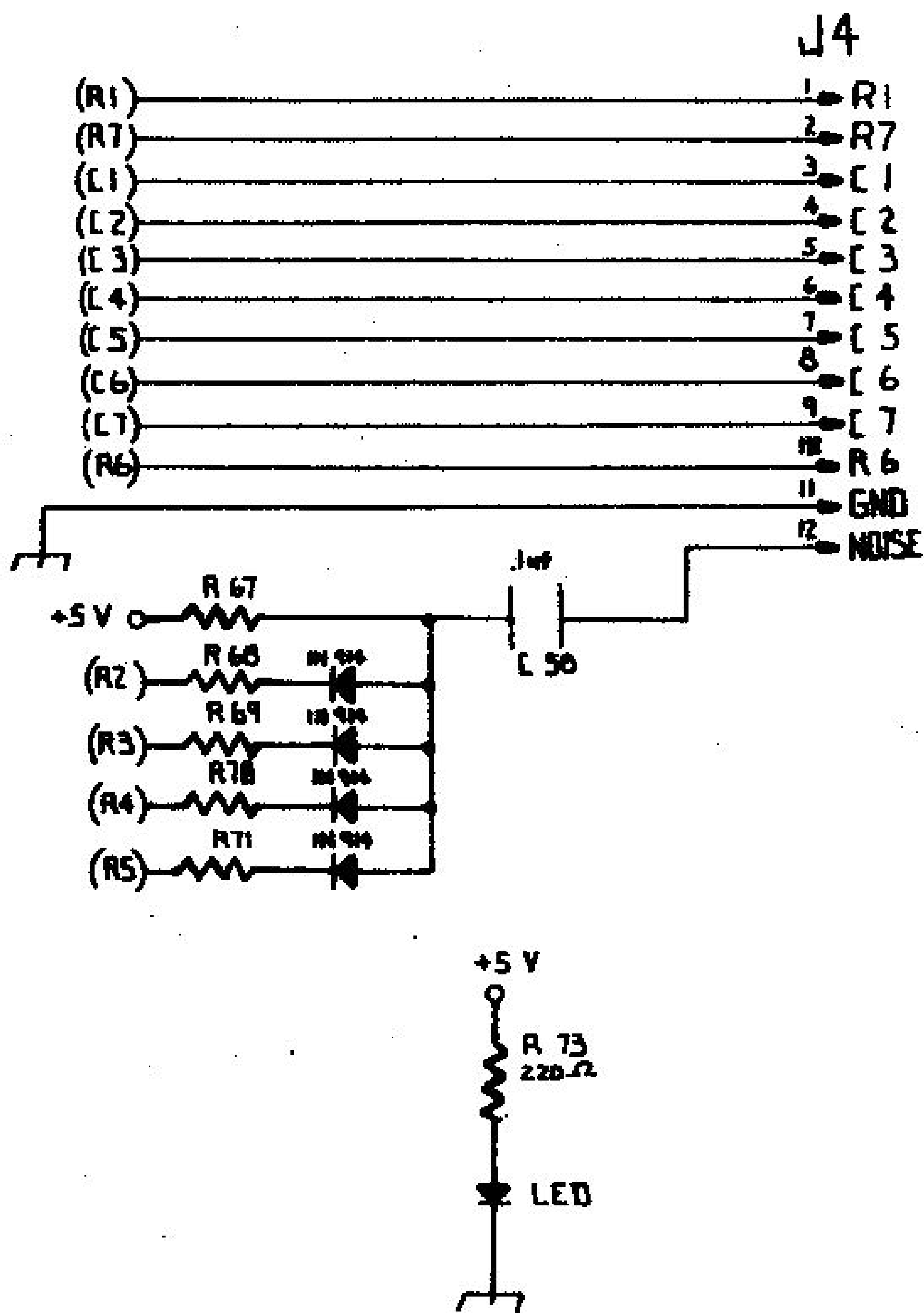
date
5 SEP 1978

revision
B

page

status

sheet 12 of 13



OHIO SCIENTIFIC

product name/number

JOY STEK + SOUND

date

5 SEP 1978

revision

B

page

status

sheet 13 of 13